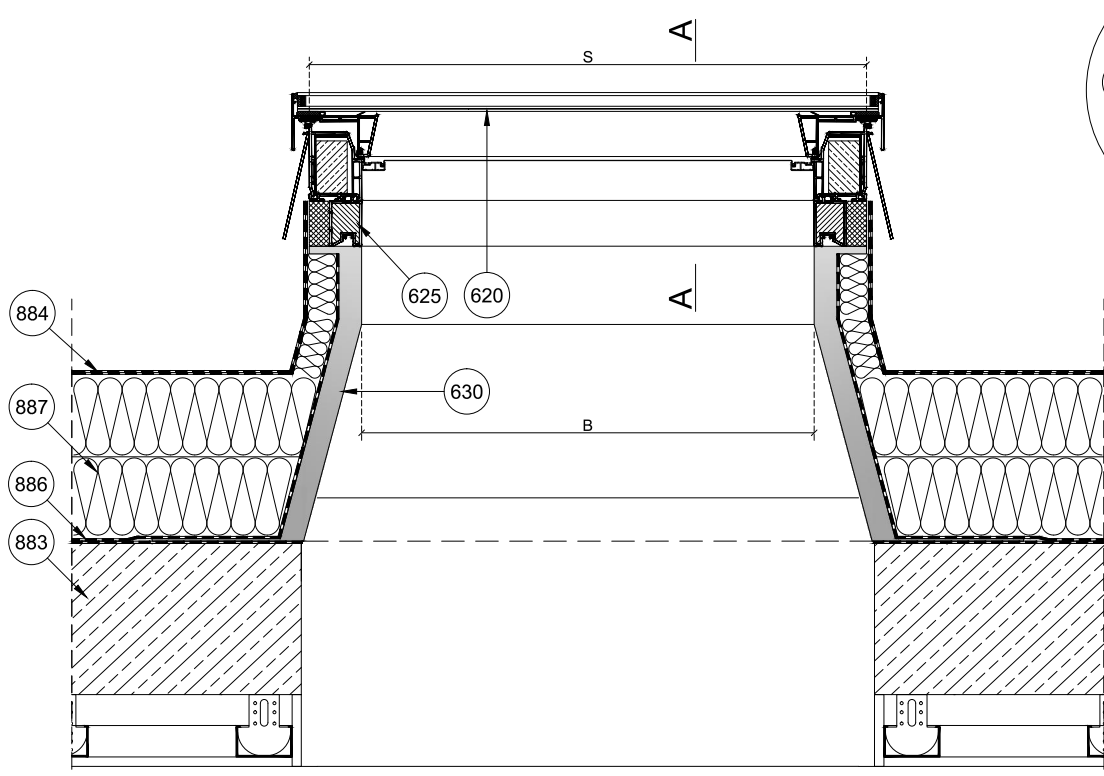
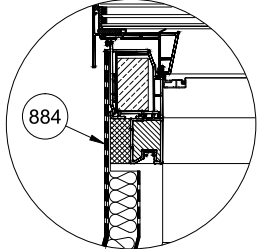


A - A



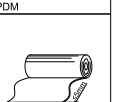
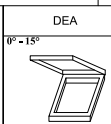
Installation without aluminum frame profiles



- 884-water proofing system
- 887-rigid thermal insulation
- 886-vapour control layer
- 883-structural deck e.g concrete
- 620-DEA G33 FAKRO
- 625-XRD-R FAKRO
- 630-Roof Curbs

B - B

DEA G33					
No.	Windows symbol	S[mm]	L[mm]	B[mm]	D[mm]
1	50x50	637	637	499	499
2	55x55	687	687	549	549
3	60x60	737	737	599	599
4	70x70	837	837	699	699
5	75x75	887	887	749	749
6	80x80	937	937	799	799
7	85x85	987	987	849	849
8	90x90	1037	1037	899	899
9	100x100	1137	1137	999	999
10	105x105	1187	1187	1049	1049
11	110x110	1237	1237	1099	1099
12	120x120	1337	1337	1199	1199



Vertical and horizontal cross-section:
DEA G33 + XRD-R FAKRO
Roof Curbs

FORMAT:
A4

SKALA:
1:10/1:5

DATA:
06.2025

Warning! The present drawing is for informational-demonstrative purposes only and as such cannot constitute a basis for performance. All dimensions presented in this drawing should be verified on site. Because of the fact that the drawing is a schematic one, FAKRO shall not assume any responsibility for the actual installation quality on the roof. This drawing is FAKRO's property and cannot be published or used publicly without our written consent.