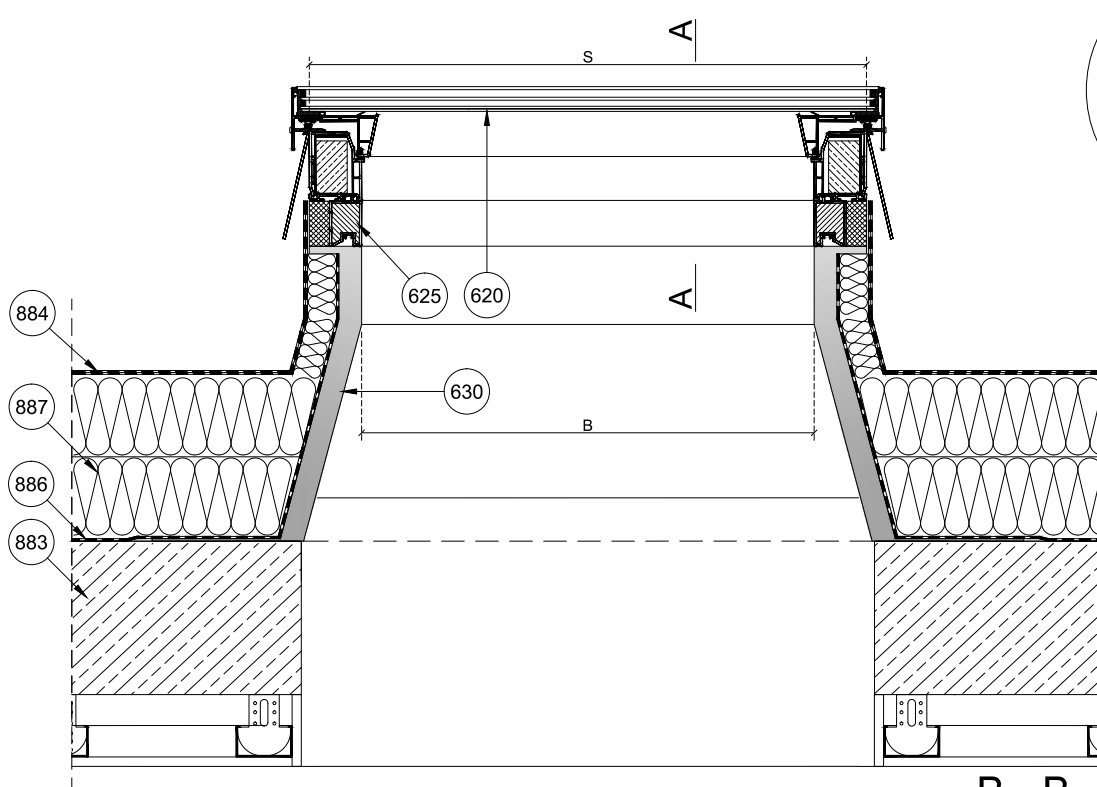
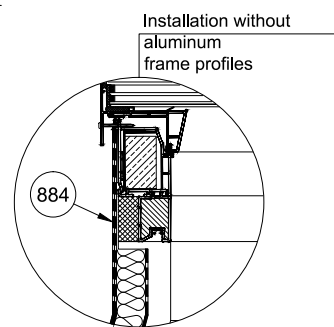


A - A



B - B






Installation without aluminum frame profiles

- 884-water proofing system
- 887-rigid thermal insulation
- 886-vapour control layer
- 883-structural deck e.g concrete
- 620-DXA G53 FAKRO
- 625-XRD-R FAKRO
- 630-Roof Curbs

| DXA G53 | | | | | |
|---------|----------------|-------|-------|-------|-------|
| No. | Windows symbol | S[mm] | L[mm] | B[mm] | D[mm] |
| 1 | 40x40 | 537 | 537 | 399 | 399 |
| 2 | 45x45 | 587 | 587 | 449 | 449 |
| 3 | 50x50 | 637 | 637 | 499 | 499 |
| 4 | 55x55 | 687 | 687 | 549 | 549 |
| 5 | 60x60 | 737 | 737 | 599 | 599 |
| 6 | 70x70 | 837 | 837 | 699 | 699 |
| 7 | 75x75 | 887 | 887 | 749 | 749 |
| 8 | 80x80 | 937 | 937 | 799 | 799 |
| 9 | 85x85 | 987 | 987 | 849 | 849 |
| 10 | 90x90 | 1037 | 1037 | 899 | 899 |
| 11 | 100x100 | 1137 | 1137 | 999 | 999 |
| 12 | 105x105 | 1187 | 1187 | 1049 | 1049 |
| 13 | 110x110 | 1237 | 1237 | 1099 | 1099 |
| 14 | 120x120 | 1337 | 1337 | 1199 | 1199 |



| | | |
|--|---|---|
| DXA 0° - 15°  | BITUMINOUS ROOFING EPDM  | 0° - 15°  |
|--|---|---|

Vertical and horizontal cross-section:
 DXA G53 + XRD-R FAKRO
 Roof Curbs

FORMAT: A4
 SKALA: 1:10/1:5
 DATA: 07.2025

Warning! The present drawing is for informational-demonstrative purposes only and as such cannot constitute a basis for performance. All dimensions presented in this drawing should be verified on site. Because of the fact that the drawing is a schematic one, FAKRO shall not assume any responsibility for the actual installation quality on the roof. This drawing is FAKRO's property and cannot be published or used publicly without our written consent.