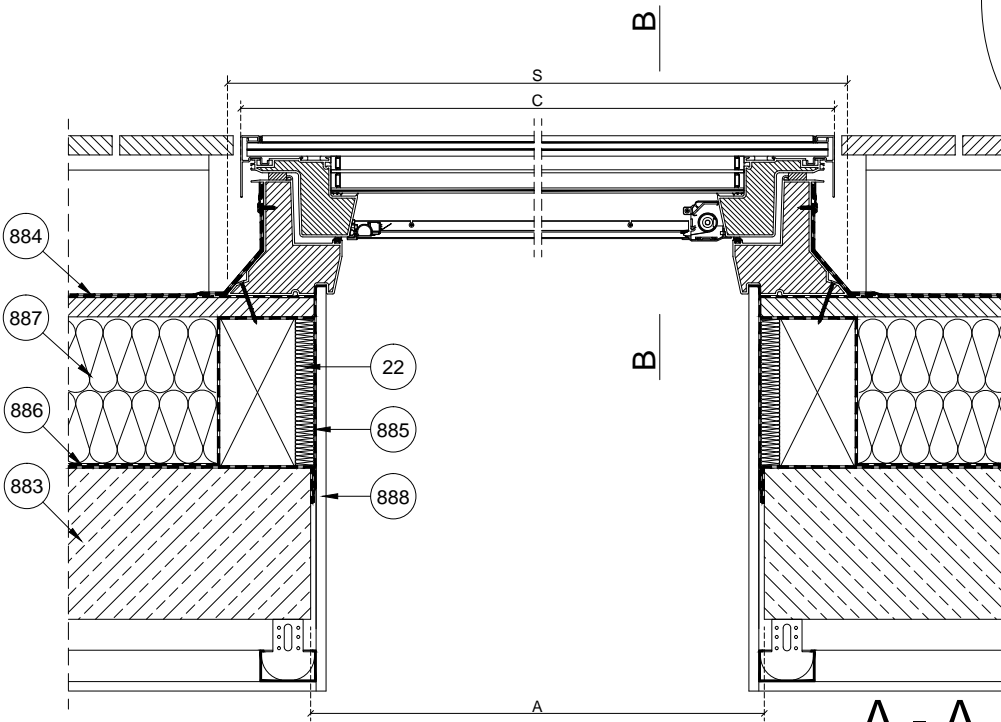
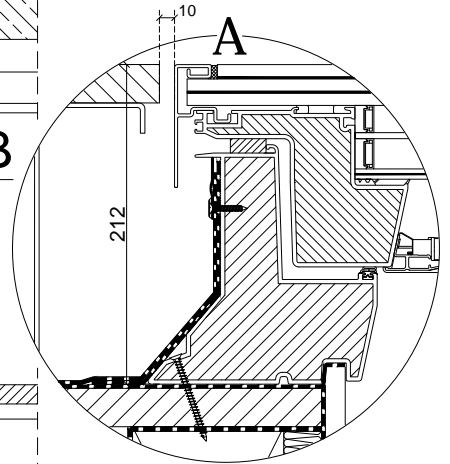


B - B



A - A

- 884-water proofing system
- 887-rigid thermal insulation
- 886-vapour control layer
- 883-structural deck e.g concrete
- 22-Thermal insulation
- 885-vapour barrier membrane
- 888-Plasterboard
- 720-DXW DW6 Flat Roof Window, non-opened
- 731-ARF/D FAKRO roller blind (optional)

Warning! The present drawing is for informational-demonstrative purposes only and as such cannot constitute a basis for performance. All dimensions presented in this drawing should be verified on site. Because of the fact that the drawing is a schematic one, FAKRO shall not assume any responsibility for the actual installation quality on the roof. This drawing is FAKRO's property and cannot be published or used publicly without our written consent.

DXW						
A[mm]	B[mm]	Window symbol	S[mm]	L[mm]	C[mm]	D[mm]
600	600	01	820	820	791	791
	900	02	820	1120	791	1091
700	700	03	920	920	891	891
800	800	04	1020	1020	991	991
900	900	05	1120	1120	1091	1091
	1200	06	1120	1420	1091	1391
1000	1000	07	1220	1220	1191	1191
1200	1200	08	1420	1420	1391	1391

	DXW DW6	BITUMINOUS ROOFING EPDM		
Vertical and horizontal cross-section: DXW DW6 Flat Roof Window, non-opened, Flat, DW6 glazing unit ARF/D FAKRO roller blind		FORMAT: A4	SCALE: 1:10/1:5	DATE: 09.2021