

1. Unique identification code of the product-type: **FSR P5**
2. Intended use/es: Natural smoke and heat exhaust ventilator (NSHEV) type FSR P5 (glass unit: 4H-10Kr-4HT-8Kr-33.2T*) with chain drive KA54 for smoke and heat control in construction works.
*where: H – toughened glass, Kr-krypton, T – low emission coating
3. Manufacturer: **FAKRO PP Sp. z o.o.**
ul. Węgierska 144a,
33-300 Nowy Sącz, Poland
fakro@fakro.pl
4. Authorised representative: *J.*
5. System/s of AVCP: **1**
6. Harmonised standard: **EN 12101-2:2003**
Notified body/ies: Fires s.r.o., (1396, Osloboditeľ'ov 282, 059 35 Batizovce, Slovakia), performed initial type test in system 1 and issued the certificate of constancy of performance No. 1396-CPR-0124.
7. Declared performance/s:

Essential characteristics		Performance																Harmonised technical specification	
		FSR P5																	
Window dimensions [cm]		78x78	78x98	78x118	78x140	94x78	94x98	94x118	94x140	94x160	114x78	114x98	114x118	114x140	134x78	134x98	134x118		
7.1	Nominal activation conditions/sensitivity	satisfied																4.1.4.2	
7.2	Response delay (response time)	< 60s																7.1.2.	
7.3	Operational reliability	Re 1000 + 10 000																7.1.	
7.4	Aerodynamic free area	$A_{a,90}$ [m ²] ⁽¹⁾	0,29 [m ²]	0,38 [m ²]	0,47 [m ²]	0,58 [m ²]	0,35 [m ²]	0,46 [m ²]	0,58 [m ²]	0,70 [m ²]	0,80 [m ²]	0,44 [m ²]	0,57 [m ²]	0,71 [m ²]	0,86 [m ²]	0,52 [m ²]	0,68 [m ²]	0,84 [m ²]	6
7.5	Resistance to heat	B300																7.5.	
7.6	Mechanical stability	satisfied																7.5.	
7.7	Opening under snow load	15°	SL 1951	SL 1891	SL 1827	SL 1758	SL 1637	SL 1597	SL 1553	SL 1504	SL 1460	SL 1788	SL 1755	SL 1717	SL 1672	SL 1531	SL 1510	SL 1500	7.2.
		20°	SL 2006	SL 1944	SL 1878	SL 1807	SL 1682	SL 1642	SL 1597	SL 1546	SL 1501	SL 1838	SL 1804	SL 1764	SL 1718	SL 1574	SL 1552	SL 1524	
		25°	SL 2079	SL 2016	SL 1948	SL 1873	SL 1744	SL 1702	SL 1655	SL 1603	SL 1556	SL 1905	SL 1871	SL 1829	SL 1782	SL 1632	SL 1609	SL 1580	
		30°	SL 2176	SL 2109	SL 2038	SL 1961	SL 1825	SL 1781	SL 1732	SL 1677	SL 1628	SL 1994	SL 1957	SL 1914	SL 1864	SL 1708	SL 1684	SL 1653	
		35°	SL 2300	SL 2230	SL 2155	SL 2073	SL 1930	SL 1883	SL 1831	SL 1773	SL 1721	SL 2108	SL 2069	SL 2024	SL 1971	SL 1805	SL 1780	SL 1748	
		40°	SL 2460	SL 2384	SL 2304	SL 2216	SL 2063	SL 2014	SL 1958	SL 1896	SL 1840	SL 2254	SL 2213	SL 2164	SL 2107	SL 1930	SL 1903	SL 1869	
	45°	SL 2664	SL 2583	SL 2495	SL 2401	SL 2235	SL 2181	SL 2121	SL 2054	SL 1994	SL 2441	SL 2397	SL 2344	SL 2283	SL 2091	SL 2061	SL 2024		
7.8	Low ambient temperature	T (-15)																7.3.	
7.9	Stability under wind load	WL 3000																7.4.1.	
7.10	Reaction to fire	npd (2)																7.5.2.1.	

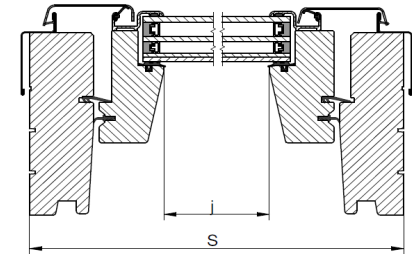
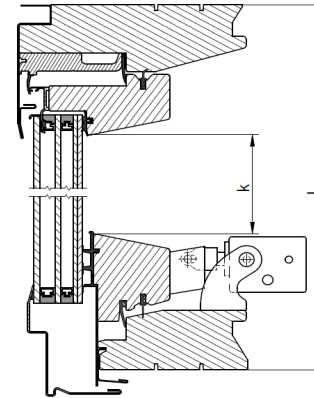
(1) as per EN 12101-2, attachment B, section B 2.4.2 (for wall mounted NSHEV), (2) npd – no performance determined

The performance of the product identified above is in conformity with the set of declared performance/s. This declaration of performance is issued, in accordance with Regulation (EU) No 305/2011, under the sole responsibility of the manufacturer identified above.

Signed on behalf of the manufacturer by:
Ewa Łukaszczyk-Haslik

Nowy Sącz, 05/10/2020

Supplementing the information to the Declaration of Performance No. RS41/CPR/12101/20
Technical specification of FSR smoke ventilation window



Features:

- Pinewood, natural colour (FSR), white NCS S0502-Y polyurethane (FSR/U) or white acrylic (FSR/W)
- Double sealing system
- Universal installation system

Geometric area (Av) as per FIRES-AT-014-16-AUNE report of 27.01.2017 issued by FIRES s.r.o.

Window size [cm]	78x78	78x98	78x118	78x140	94x78	94x98	94x118	94x140	94x160	114x78	114x98	114x118	114x140	134x78	134x98	134x118
Geometric area (Av) [m ²]	0,497	0,637	0,777	0,931	0,611	0,783	0,955	1,144	1,316	0,753	0,965	1,177	1,410	0,895	1,147	1,399

Window size [cm]	78x78	78x98	78x118	78x140	94x78	94x98	94x118	94x140	94x160	114x78	114x98	114x118	114x140	134x78	134x98	134x118
External dimension L [mm]	777x781	777x981	777x1181	777x1401	937x781	937x981	937x1181	937x1401	937x1601	1137x781	1137x981	1137x1181	1137x1401	1337x781	1337x981	1337x1181
Visible glazing area [m ²]	0,35	0,47	0,59	0,73	0,45	0,6	0,75	0,92	1,07	0,57	0,76	0,95	1,16	0,68	0,92	1,15