

User manual of ZZ16a power supply

Table of contents

1. Description of ZZ16a power supply.....	2
2. Diagram for connecting devices to the power supply.....	3
3. Technical specification.....	4

FAKRO PP Sp. z o.o.

ul. Węgierska 144A

33-300 Nowy Sącz

Polska

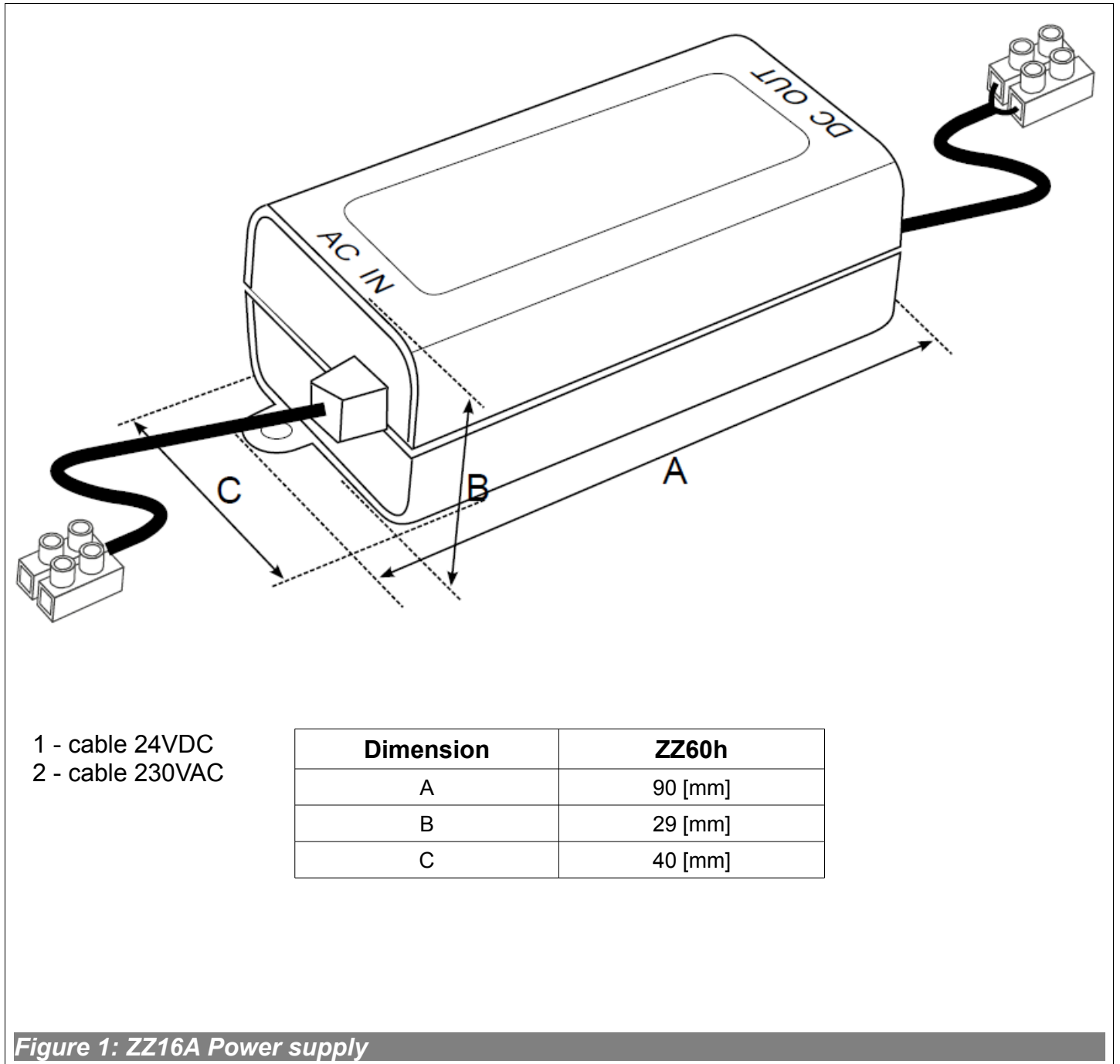
www.fakro.com

tel. +48 18 444 0 444

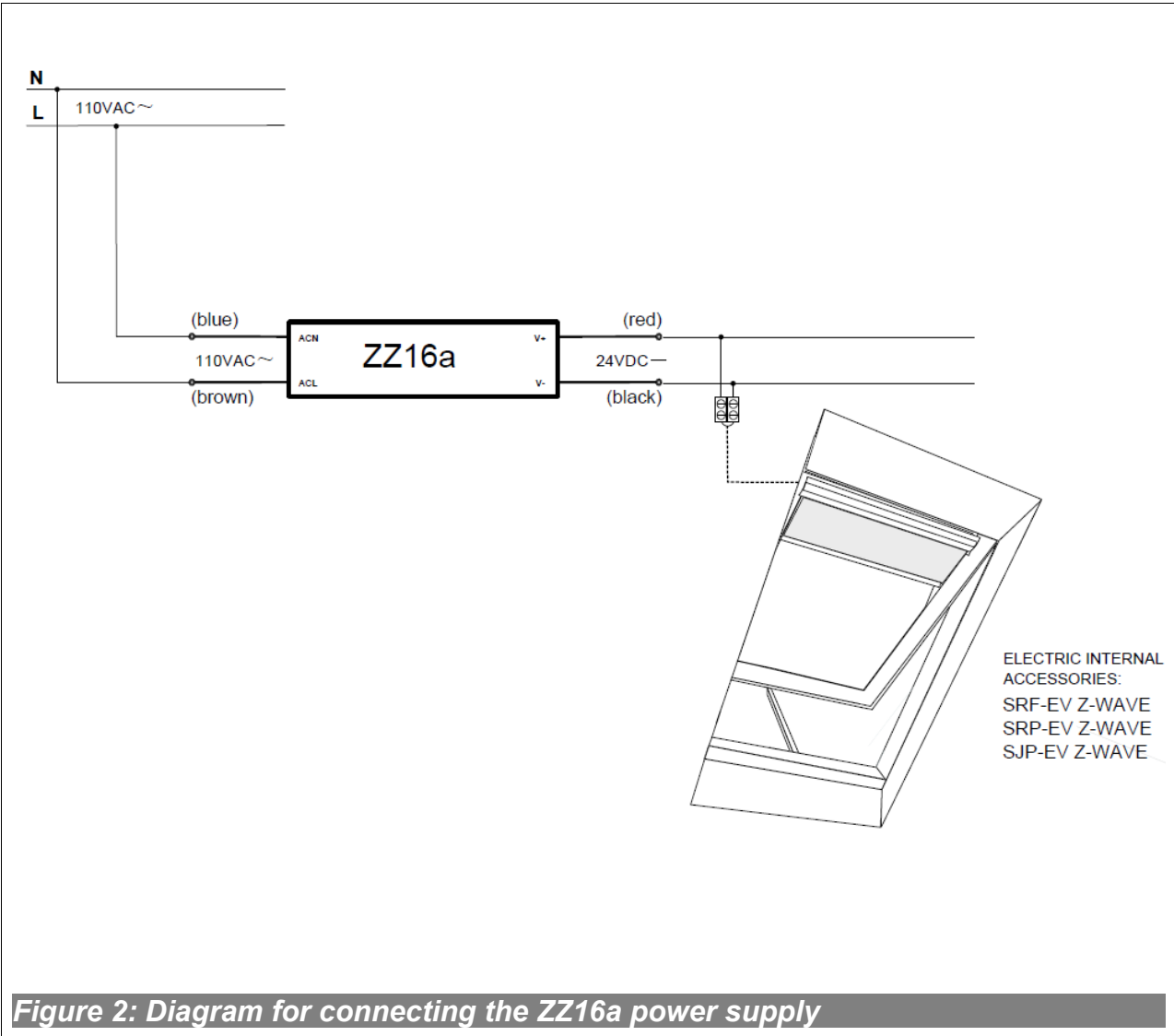
fax. +48 18 444 0 333

1. Description of ZZ16a power supply

The ZZ16a power supply has power rating of 16W. One device 24VDC can be connected to one power supply e.g. internal blind SRF-EV/EX Z-Wave.



2. Diagram for connecting devices to the power supply



3. Technical specification

Technical specification		
Output	Constant voltage	24 [V]
	Rated current	0,67 [A]
	Current range	0 ~ 0,67 [A]
	Rated power	16,08 [W]
	Voltage tolerance	+/- 5.0%
Input	Voltage range	90 ~ 264 [V]AC
	Frequency range	47 ~ 63 [Hz]
	Efficiency	83,00%
Environment	Working temperature	-30 +/-70 [°C]